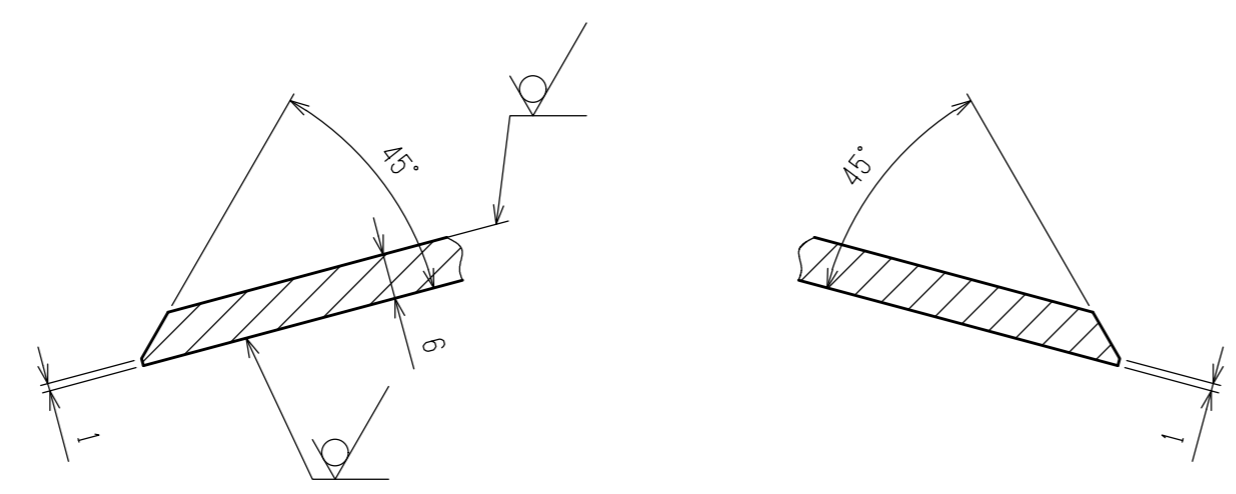
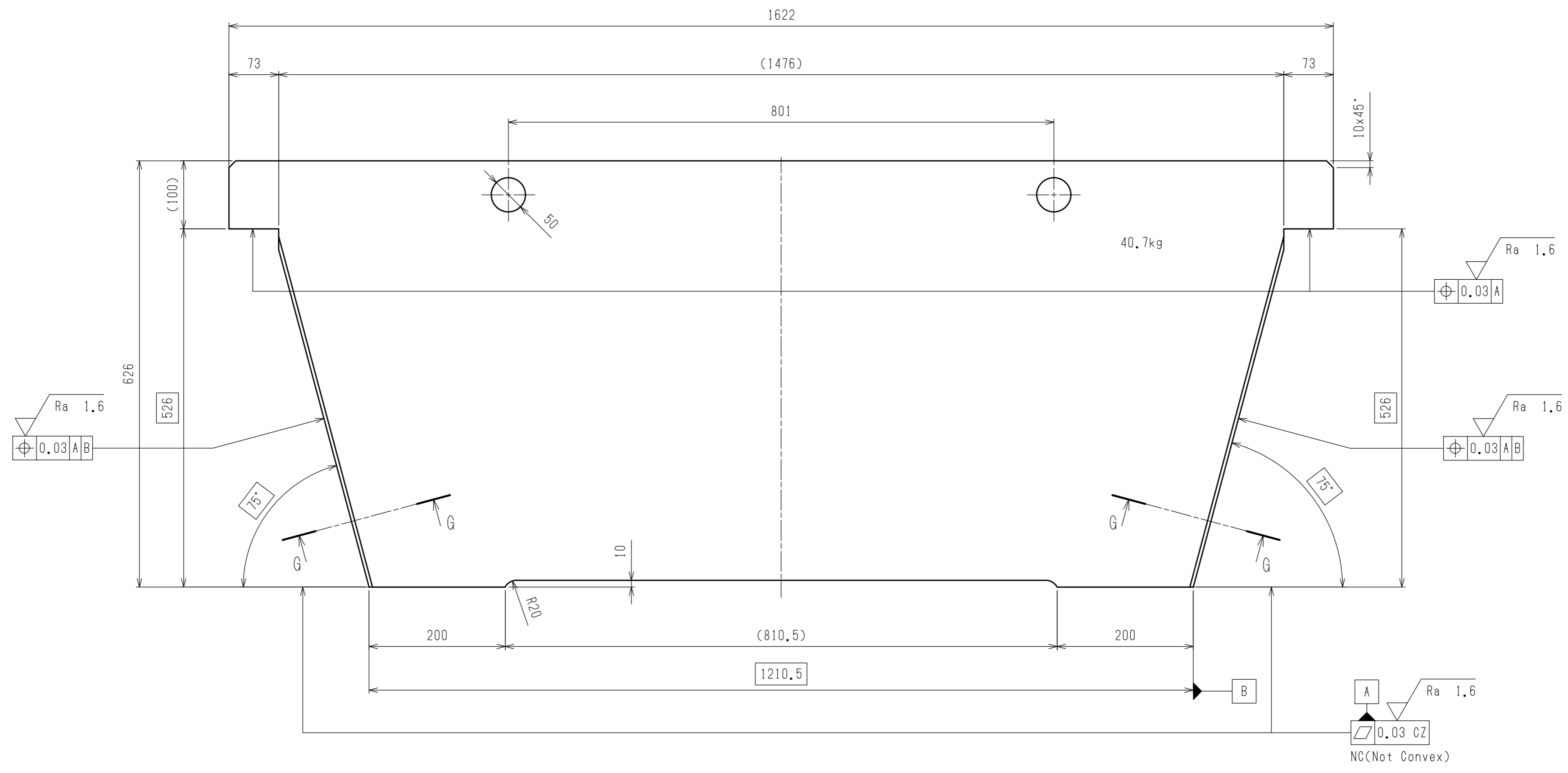
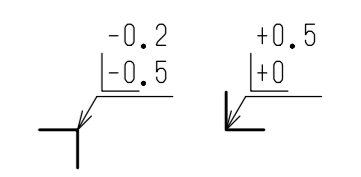


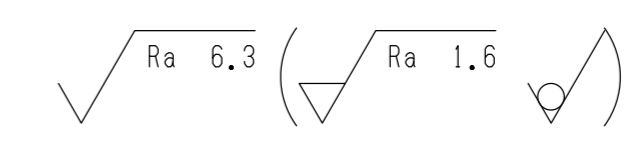
A B C D E F G



Section G-G



general tolerance ISO 2768-mK (JIS B 0419-mK)  
Form and Positional Tolerances acc. to ISO/DIS 1101 (JIS B 0021)



material: C45 (S45C)



LM34,41 Roller tire  
Taper gauge

A B C D E F G